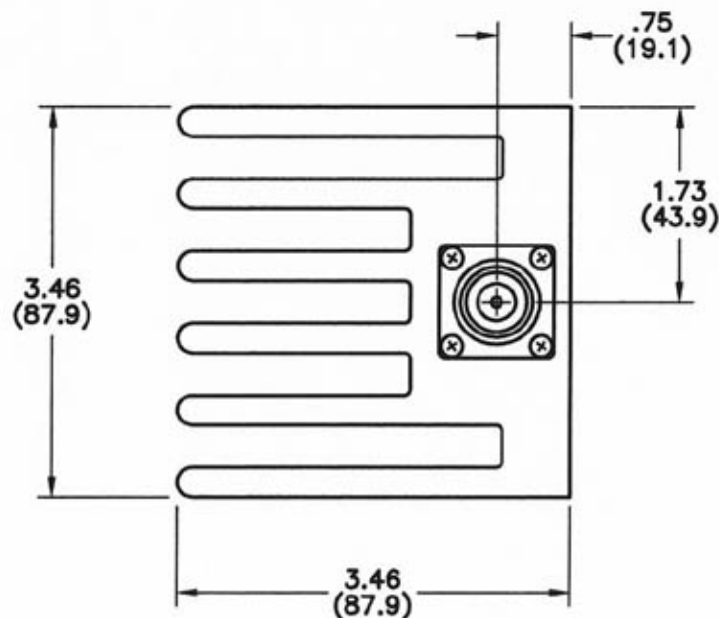
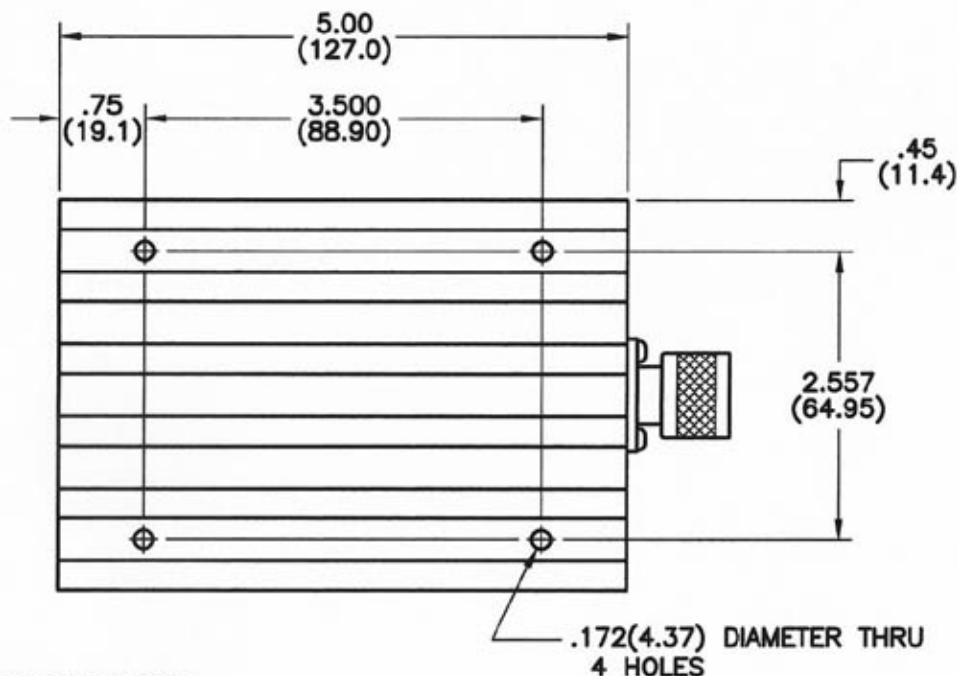


REVISIONS					
REV	ZONE	DESCRIPTION	DATE	BY	ECO
A	4C	ADDED RADIUS TO FINS	10-22-04	GVC	---
B	3D	.65(16.5) DIM. WAS .50(12.7)	1-20-05	GVC	---
	4A	DELETED 7/16 DIN CONN. OPTION			
C	3D	.75(19.1) DIM. WAS .85(16.5)	10-1-05	GVC	---



### SPECIFICATIONS

FREQUENCY RANGE - DC TO 3.0 GHz

IMPEDANCE - 50 OHMS

VSWR (1.5 GHz) - 1.15:1

(2.4 GHz) - 1.20:1

(3.0 GHz) - 1.25:1

INPUT POWER (AVG.) - 100 WATTS

(PEAK) - 2000 WATTS

OPERATING TEMPERATURE - -55°C TO +125°C

CONNECTOR TYPES - TYPE N OR TNC (N SHOWN)

DIMENSIONS: INCHES (MILLIMETERS)

TOLERANCES	
DEC.IX ± .03	FINAC ±
.XXX ± .010	AND ±
MATERIAL	
FINISH	

THE INFORMATION CONTAINED IN THIS DOCUMENT IS THE PROPERTY OF MICROWAVE DEVICES, INC. AND IS PROPRIETARY. IT IS NOT TO BE COPIED OR USED FOR ANY PURPOSE OTHER THAN AS INSTRUCTED, IN WRITING, BY MICROWAVE DEVICES, INC.

SIGNATURES		DATE
DR	G.V.Cothren	2-23-04
CHK		
APPD		
APPD		

**MICROWAVE DEVICES**  
(If not otherwise specified)

OUTLINE, TERMINATION  
MODEL 6100L

CASE	SIZE	DRAWING NO.
60674	B	900466
DRAWING SCALE 1=1		SHEET 1 OF 1

CONTACT: MICROWAVE DEVICES - 1150 N. GRAHAM RD. FRANKLIN, IN 46131 (317) 736-8833

DIMENSIONS ARE IN INCHES UNLESS OTHERWISE SPECIFIED.